

Figure 1.

18

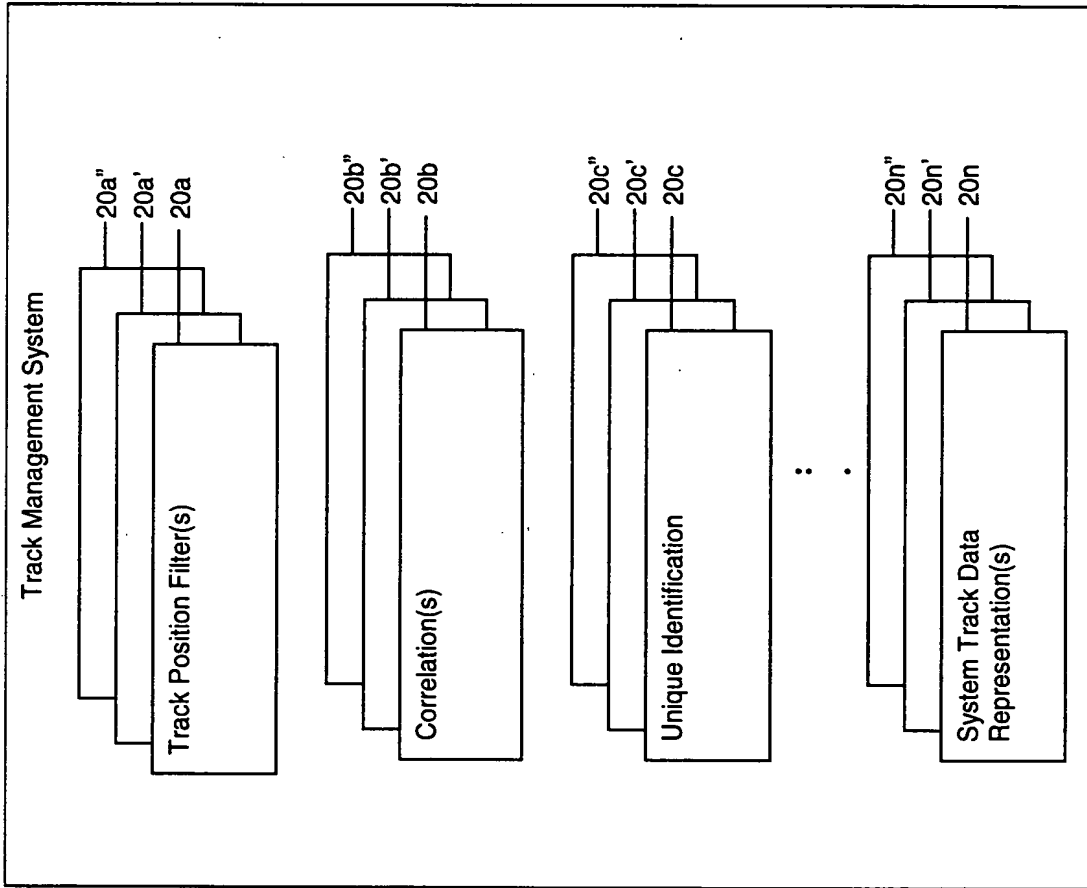


Figure 2.

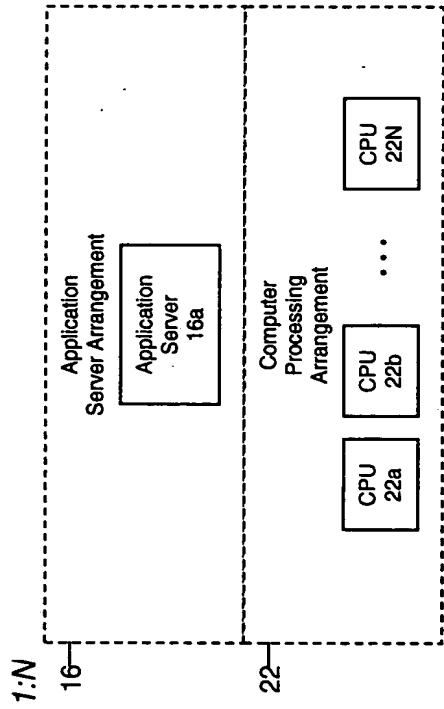


Figure 3a. One Application Server to One CPU

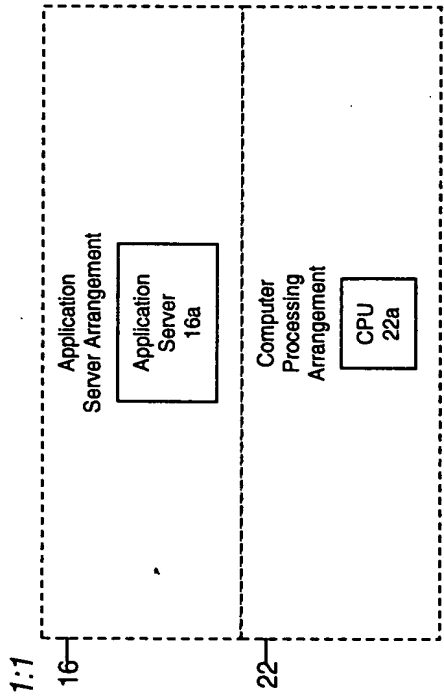


Figure 3b. One Application Server to Many CPUs

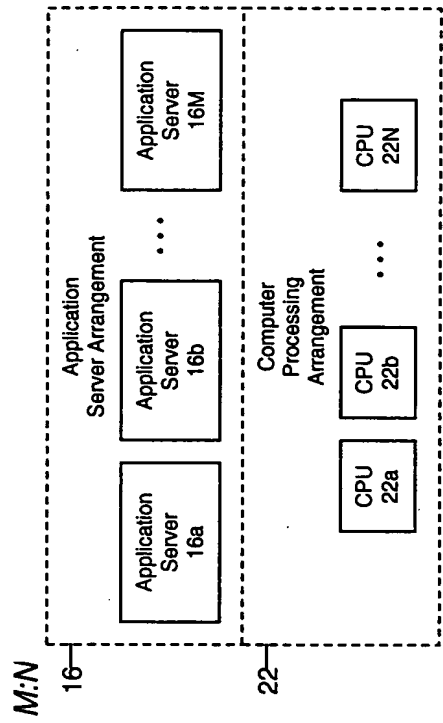


Figure 3c. Many Application Servers to One CPU

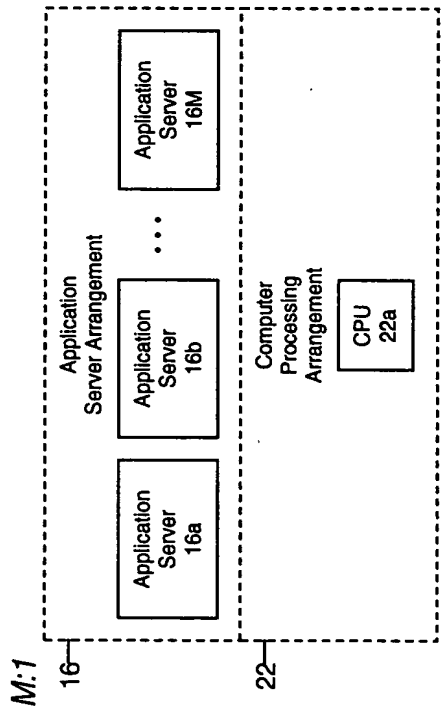


Figure 3d. Many Application Servers to Many CPUs

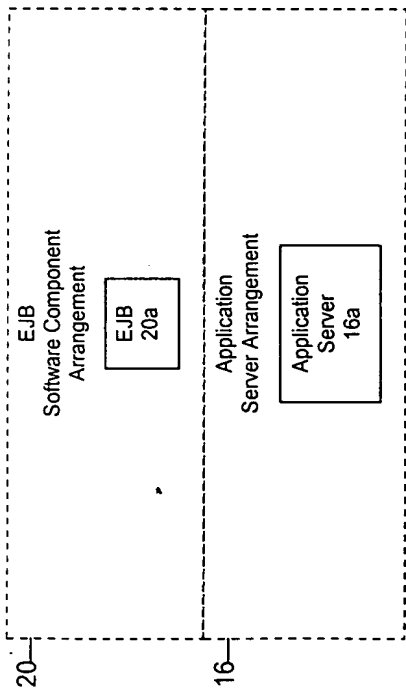


Figure 4a

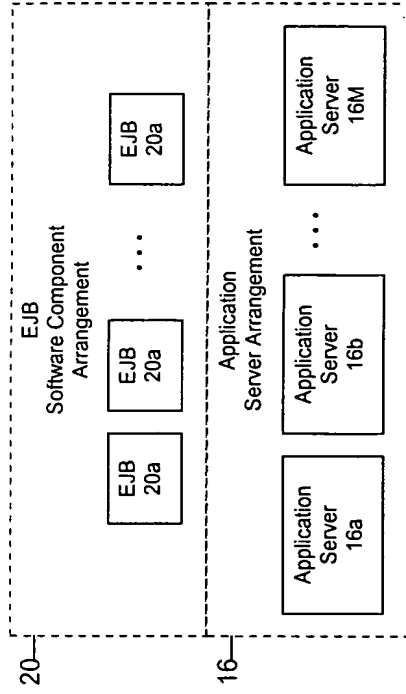


Figure 4b

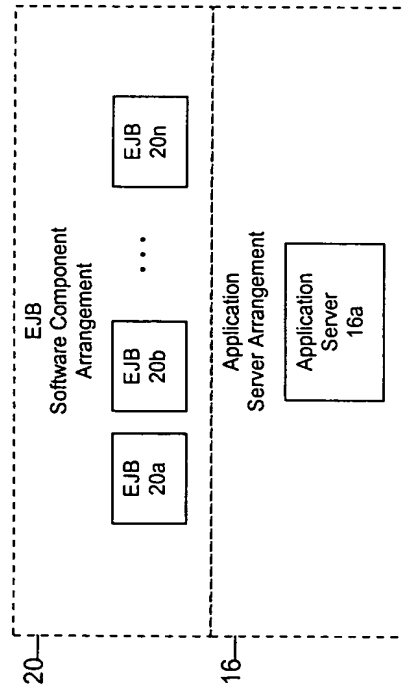


Figure 4c

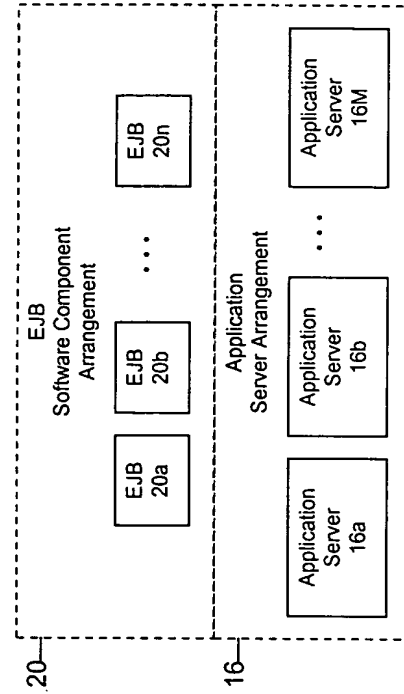


Figure 4d

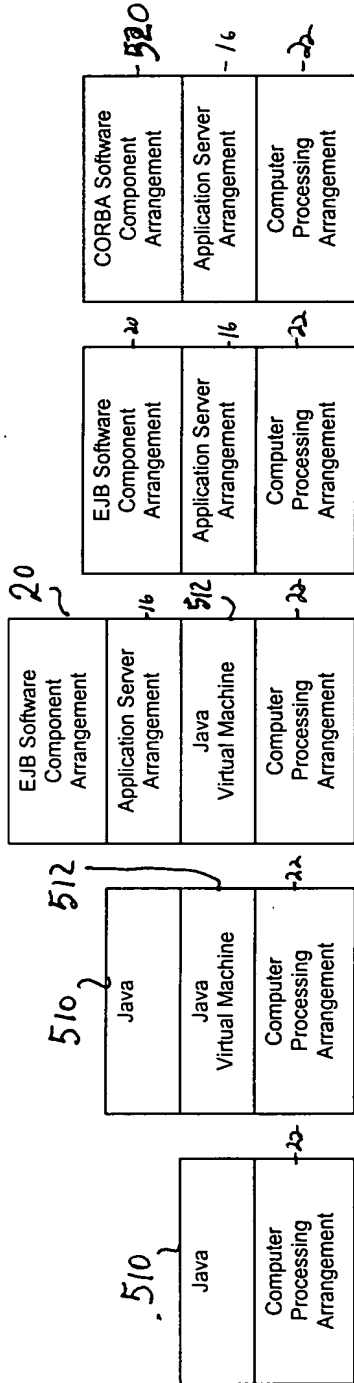


Figure 5a

Figure 5b

Figure 5c

Figure 5d

Figure 5e